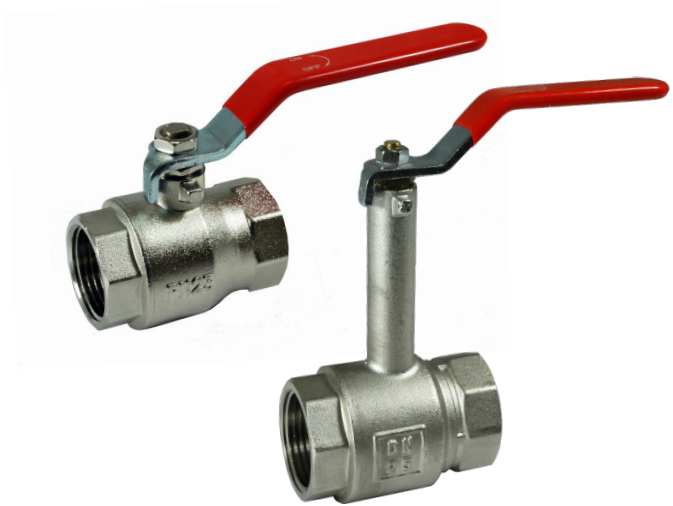


Ball valve 190-196

- Male and/or female thread 3/8"- 2"
- Nickel-plated brass
- Low/high neck
- Full flow valve
- Lever or T-handle



Description

Ball valve.

Construction

Ball valve in nickel-plated brass with full flow (bore).

Model 190

Connection female thread 3/8"- 2".

Gaskets in PTFE. Lever in steel.

Model 190S

Connection female thread 1/2"- 2". Gaskets in PTFE and double FKM. Lever in steel.

Model 191

Connection female thread 3/8"- 1".

Gaskets in PTFE. T-handle in aluminium.

Model 192

Connection male and female thread 3/8"- 2".

Gaskets in PTFE. Lever in steel.

Model 193

Connection male and female thread 3/8"- 1".

Gaskets in PTFE. T-handle in aluminium.

Model 195

Connection male thread 3/4".

Gaskets in PTFE. T-handle in aluminium.

Model 196

Connection male thread 3/4".

Gaskets in PTFE. Lever in steel.

Marking

DN and PN.

Technical data

Body	Nickel-plated brass CW617N
Ball seal	PTFE
Stem gasket 190-196	PTFE
Stem gaskets 190S	PTFE and FKM/FKM

Maximum working pressure: 25 bar (3/8" - 1 1/2")

Maximum working pressure: 20 bar (2")

Maximum working temperature: +100°C

Minimum working temperature: -10°C

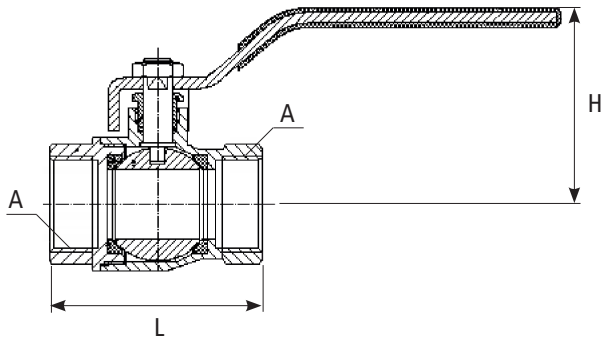
Maintenance

The ball valve must be operated periodically, two to three times a year.

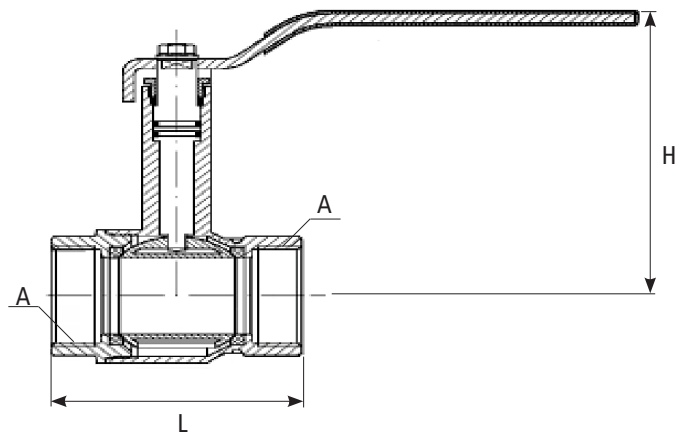
Subject to technical changes and corrections without notice

Ball valve 190-196

190



190S



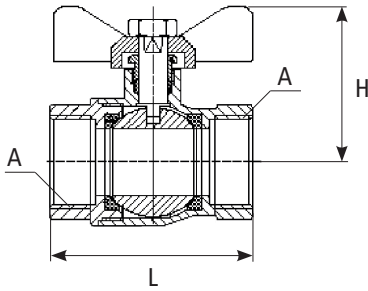
Item number	Description	Connection thread A	Length L	Centrum height H	Weight (kg per piece)
0419001000	Ball valve 190-10, 3/8" F, lever	3/8" F	42	45	0,12
0419001500	Ball valve 190-15, 1/2" F, lever	1/2" F	48	51	0,18
0419002000	Ball valve 190-20, 3/4" F, lever	3/4" F	58	53	0,29
0419002500	Ball valve 190-25, 1" F, lever	1" F	67	61	0,47
0419003200	Ball valve 190-32, 1 1/4" F, lever	1 1/4" F	83	69	0,67
0419004000	Ball valve 190-40, 1 1/2" F, lever	1 1/2" F	89	78	0,98
0419005000	Ball valve 190-50, 2" F, lever	2" F	108	87	1,40
0419011500	Ball valve 190S-15, 1/2" F, lever	1/2" F	53	94	0,28
0419012000	Ball valve 190S-20, 3/4" F, lever	3/4" F	59	106	0,36
0419012500	Ball valve 190S-25, 1" F, lever	1" F	69	105	0,52
0419013200	Ball valve 190S-32, 1 1/4" F, lever	1 1/4" F	81	124	0,83
0419014000	Ball valve 190S-40, 1 1/2" F, lever	1 1/2" F	94	106	1,15
0419015000	Ball valve 190S-50, 2" F, lever	2" F	113	135	1,70

All dimensions in millimetres

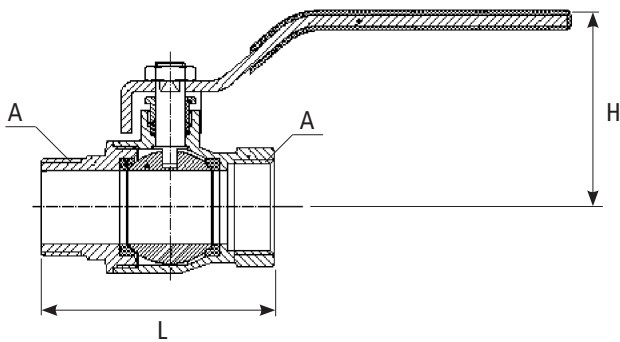
Subject to technical changes and corrections without notice

Ball valve 190-196

191



192



Item number	Description	Connection thread A	Length L	Centrum height H	Weight (kg per piece)
0419101000	Ball valve 191-10, 3/8" F, T-handle	3/8" F	42	34	0,10
0419101500	Ball valve 191-15, 1/2" F, T-handle	1/2" F	48	40	0,15
0419102000	Ball valve 191-20, 3/4" F, T-handle	3/4" F	58	44	0,25
0419102500	Ball valve 191-25, 1" F, T-handle	1" F	67	52	0,42

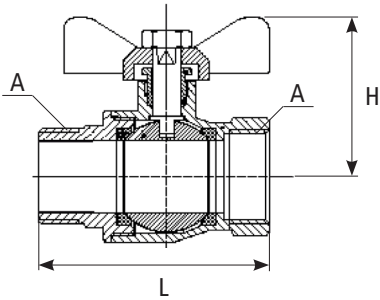
Item number	Description	Connection thread A	Length L	Centrum height H	Weight (kg per piece)
0419201000	Ball valve 192-10, 3/8" F x 3/8" M, lever	3/8" F x 3/8" M	47	45	0,13
0419201500	Ball valve 192-15, 1/2" F x 1/2" M, lever	1/2" F x 1/2" M	56	51	0,20
0419202000	Ball valve 192-20, 3/4" F x 3/4" M, lever	3/4" F x 3/4" M	65	53	0,29
0419202500	Ball valve 192-25, 1" F x 1" M, lever	1" F x 1" M	75	61	0,49
0419203200	Ball valve 192-32, 1 1/4" F x 1 1/4" M, lever	1 1/4" F x 1 1/4" M	90	69	0,69
0419204000	Ball valve 192-40, 1 1/2" F x 1 1/2" M, lever	1 1/2" F x 1 1/2" M	96	78	0,99
0419205000	Ball valve 192-50, 2" F x 2" M, lever	2" F x 2" M	115	87	1,43

All dimensions in millimetres

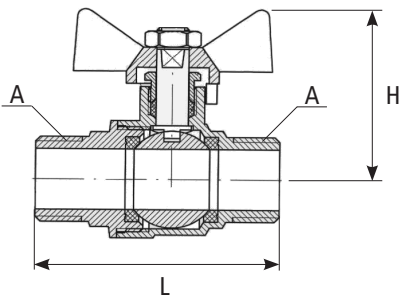
Subject to technical changes and corrections without notice

Ball valve 190-196

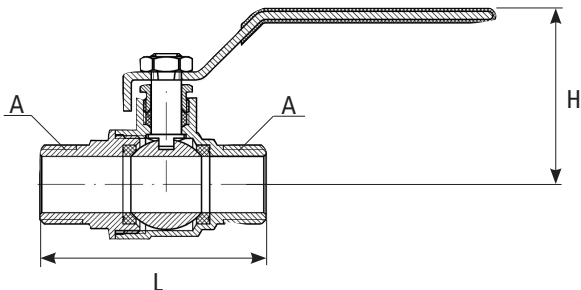
193



195



196



Item number	Description	Connection thread A	Length L	Centrum height H	Weight (kg per piece)
0419301000	Ball valve 193-10, 3/8" F x 3/8" M, T-handle	3/8" F x 3/8" M	47	34	0,11
0419301500	Ball valve 193-15, 1/2" F x 1/2" M, T-handle	1/2" F x 1/2" M	55	40	0,16
0419302000	Ball valve 193-20, 3/4" F x 3/4" M, T-handle	3/4" F x 3/4" M	65	44	0,25
0419302500	Ball valve 193-25, 1" F x 1" M, T-handle	1" F x 1" M	75	52	0,44

Item number	Description	Connection thread A	Length L	Centrum height H	Weight (kg per piece)
0419502000	Ball valve 195-20, 3/4" M, T-handle	3/4" M	65	45	0,23

Item number	Description	Connection thread A	Length L	Centrum height H	Weight (kg per piece)
0419602001	Ball valve 196-20, 3/4" M, lever	3/4" M	65	53	0,28

All dimensions in millimetres

Subject to technical changes and corrections without notice